



## Stichting Kwaliteit Gevelbouw

Report number  
Date of approval  
Date of report  
Applicant

10.153A  
1 April 2010  
31 March 2011  
Fapim s.p.a.  
Via delle Cerbaie 114  
55011 ALTOPASCIO  
Italy

*bezoekadres*  
Nieuwe Kanaal 9F  
Wageningen

*postadres*  
Postbus 362  
6700 AL Wageningen

T 0317 - 421 720  
F 0317 - 421 677  
E info@skg.nl  
I www.skg.nl

ABN-AMRO  
50.84.85.800

IBAN-NR  
NL 33ABNA0508485800

BIC-CODE  
ABNANL2A

KVK Den Haag  
42149617

BTW nummer  
004465520 B01

Concerning

Burglar resistance of an aluminium tilt-and-turn window, with casing dimensions of 1200 x 1300 mm, manufactured from the Stalufor STALUFORM EVS profile system.

Inspector

M.F. van Dijk/ F. Koldenhof/ B. Roelofs

Reporter

J.M. van Diggelen

Conclusion

The tested door satisfies the dynamic and manual requirements for Class 2, for the testing and evaluation of burglary resistant cladding units with doors, windows, shutters and fixed panels, in accordance with the following standards:

- NEN 5096: 2007 + C1: 2007
- ENV 1627: 1999

## 1 INTRODUCTION

### 1.1 Objective of the examination

SKG was commissioned by Fapim s.p.a. from Altopascio (Italy), to perform a resistance to break-in test on an aluminium tilt-and-turn window with the objective of testing the resistance to break-in of this cladding unit in accordance with the applicable standards for the testing and evaluation of break-in resistant casings, windows and doors.

### 1.2 Conclusion of the examination

The unit appears to completely satisfy the requirements of Class 2 in accordance with the relevant Dutch and European provisional standards.

**Class 2**

### 1.3 Conformity declaration

Except for that which is stated in Chapter 4, conformity is not applicable to this unit.

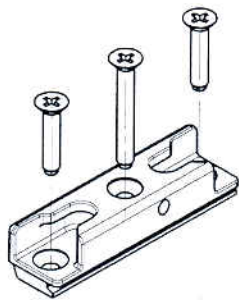
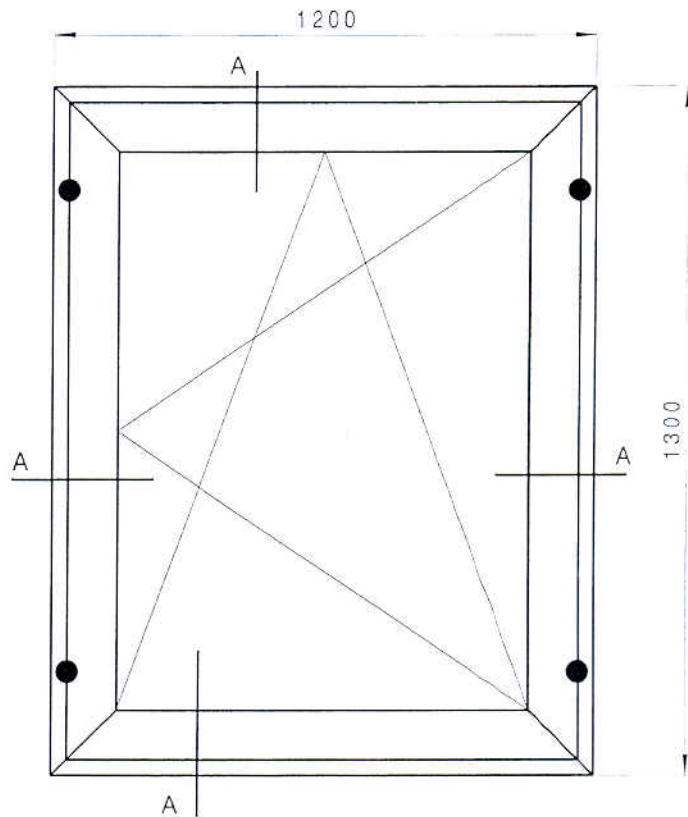
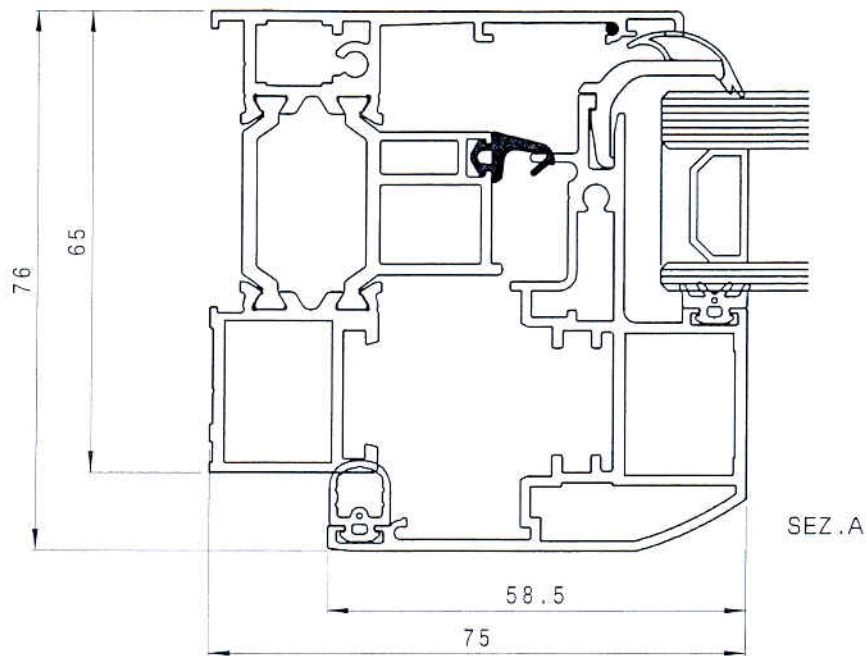
### 1.4 Reproduction of SKG reports

This report shall not be reproduced except in full, without written approval of the SKG laboratory.

Drawn up at Wageningen on 31 March 2011



J.M. van Diggelen  
Sector Manager



N° 4

Rapport - Brief:	10.153 A
Bijlage nr.:	1
Paraaf:	<i>[Signature]</i>

..	..	..	..	..
..	..	..	..	..
..	..	..	..	..
00	Prima Emissione	29/3/2010	Giuntoli Simone	Giuntoli Simone
Rev.	Note revisione	Data	Disegnato da	Approvato

**fapim**®

- PROPRIETA' RISERVATA -  
RIPRODUZIONE VIETATA

Dimensioni e forme senza indicazione di tolleranza:

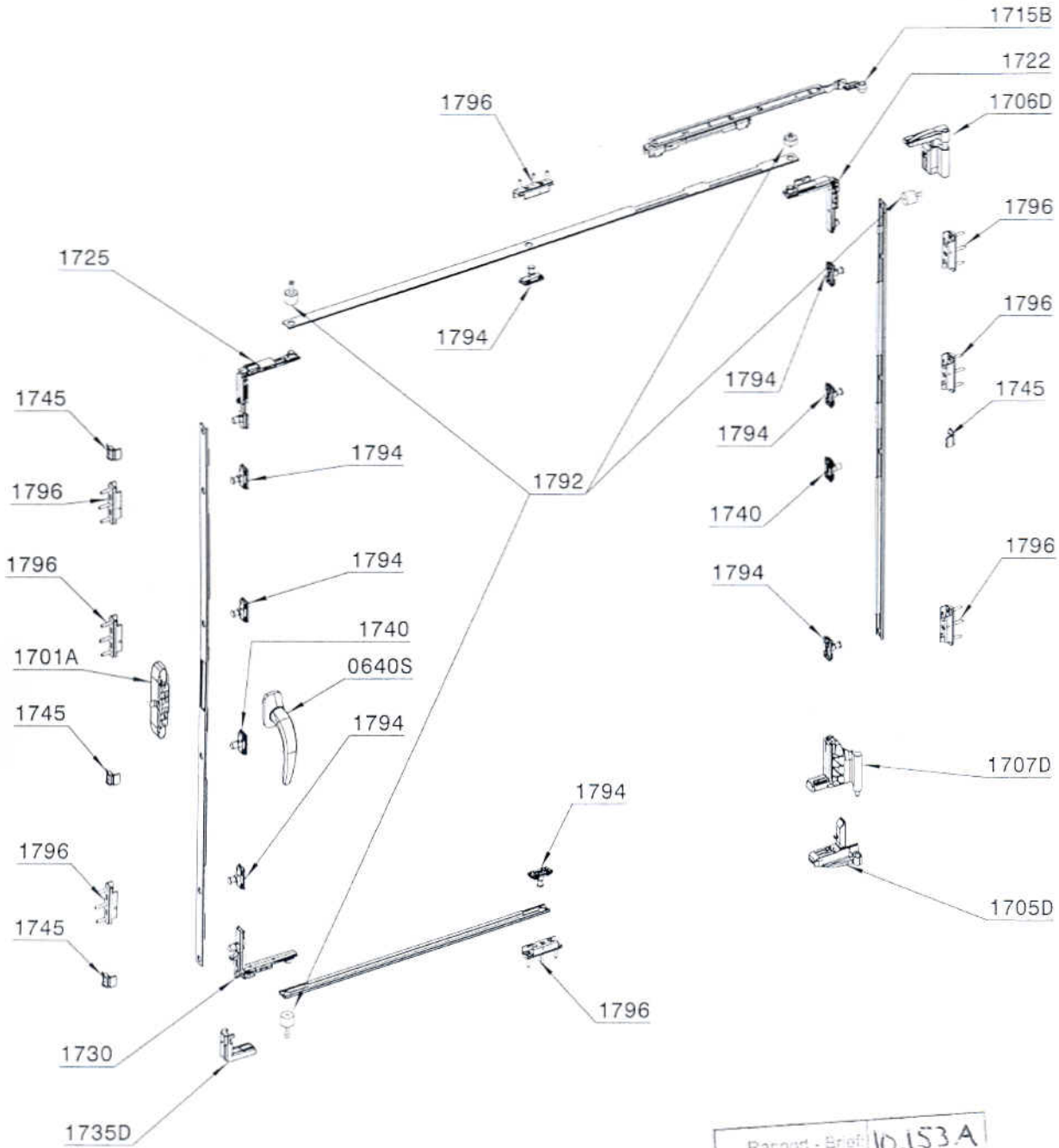
Materiale: \_\_\_\_\_ Materiale alternativo: \_\_\_\_\_

Stato: \_\_\_\_\_ Durezza: \_\_\_\_\_ Scala: 1:1

Trattamento: \_\_\_\_\_ Peso: \_\_\_\_\_ Famiglia: \_\_\_\_\_

DESCRIZIONE	CODICE	N° DISEGNO	REV.
Configurazione finestra SKG Syncro 1 anta 1200x1300		66716	00

RIPRODUZIONE VIETATA - REPRODUCTION FORBIDDEN - REPRODUCTION INTERDITTE - NACHDRUCK VERBOTEN - REPRODUCCION PROHIBIDA - NADRUK VERBODEN



Rapport - Brief:	10.153.A
Bijlage nr.:	2
Paraaf:	<i>[Signature]</i>

DATA	DISEGNO N°	FAMIGLIA
02.03.11	66763.01	----